



Installation instructions, accessories

Volvo Car Corporation Gothenburg, Sweden

Instruction No	Version	Part. No.
31454234	1.0	31359465

Towbar, hitch



Installation instructions, accessories

Volvo Car Corporation Gothenburg, Sweden

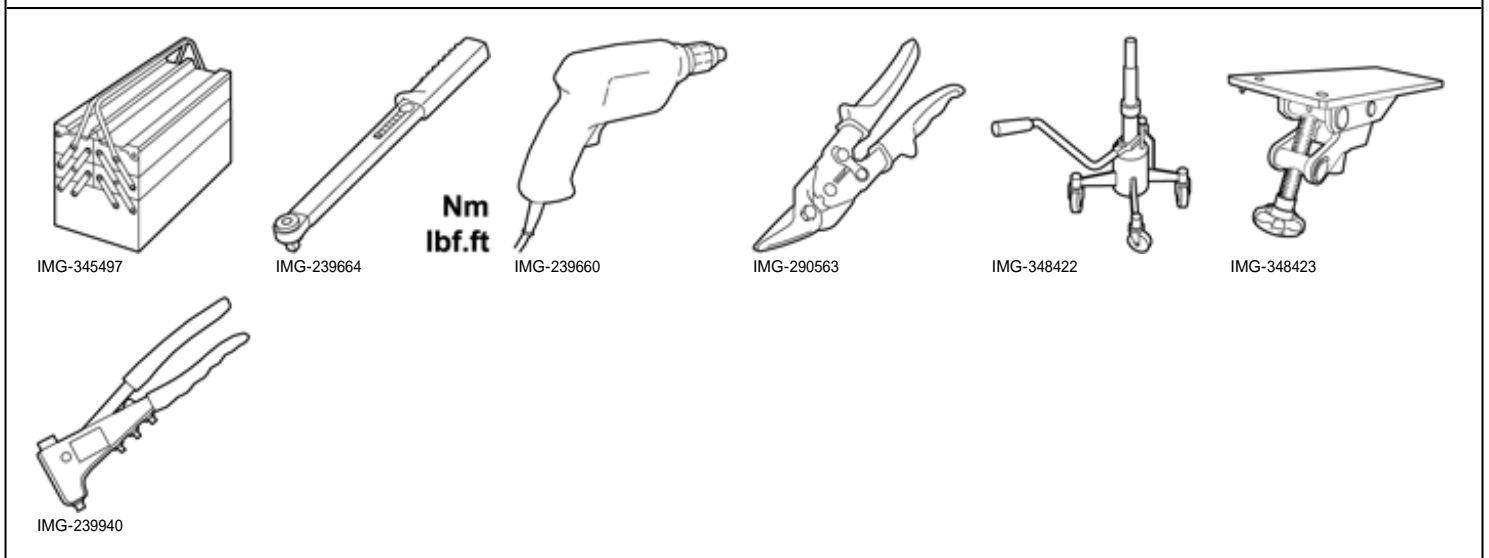
Special tools

	<p>999 5972 FIXTURE (UNIVERSAL/TRANSAXLES)</p> <p>Tool number:999 5972</p> <p>Tool description:FIXTURE (UNIVERSAL/TRANSAXLES)</p> <p>Tool boards:43</p>
	<p>998 5972 JACK (HYDRAULIC)</p> <p>Tool number:998 5972</p> <p>Tool description:JACK (HYDRAULIC)</p> <p>Tool boards:40</p>
	<p>999 7338 Extension rod</p> <p>Tool number:999 7338</p> <p>Tool description:Extension rod</p> <p>Tool boards:80</p>

Materials

Designation	Part number
Rust inhibitor, low viscosity	

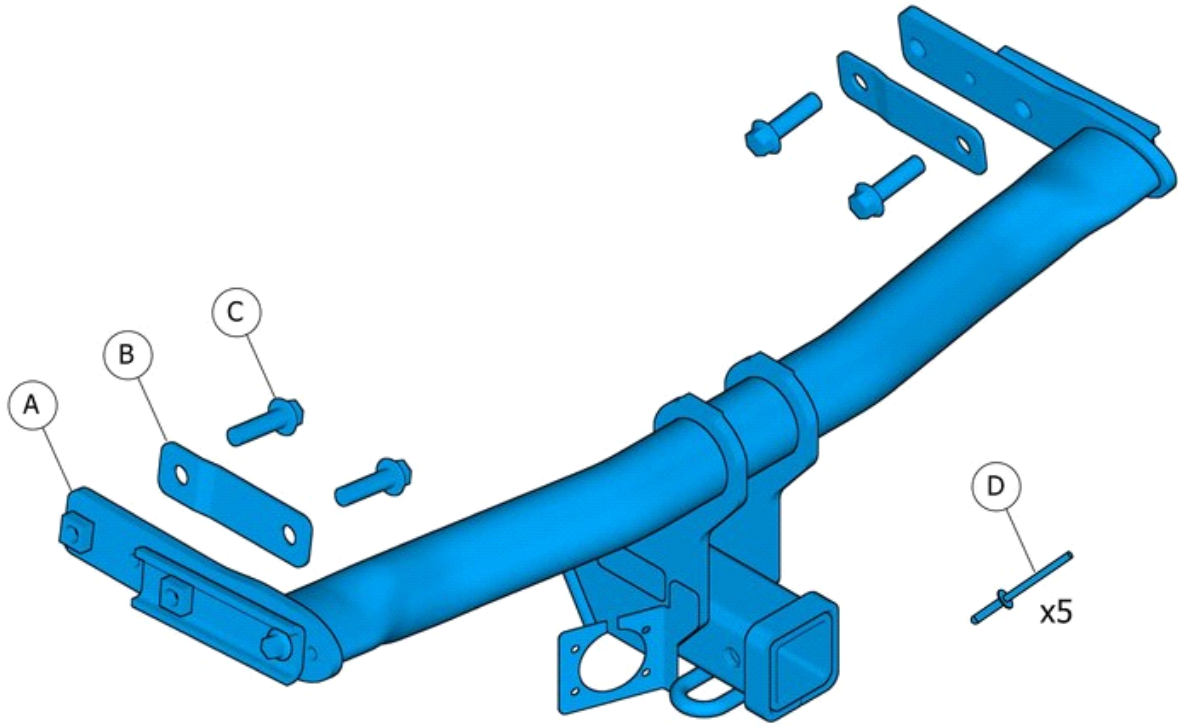
Equipment





Installation instructions, accessories

Volvo Car Corporation Gothenburg, Sweden

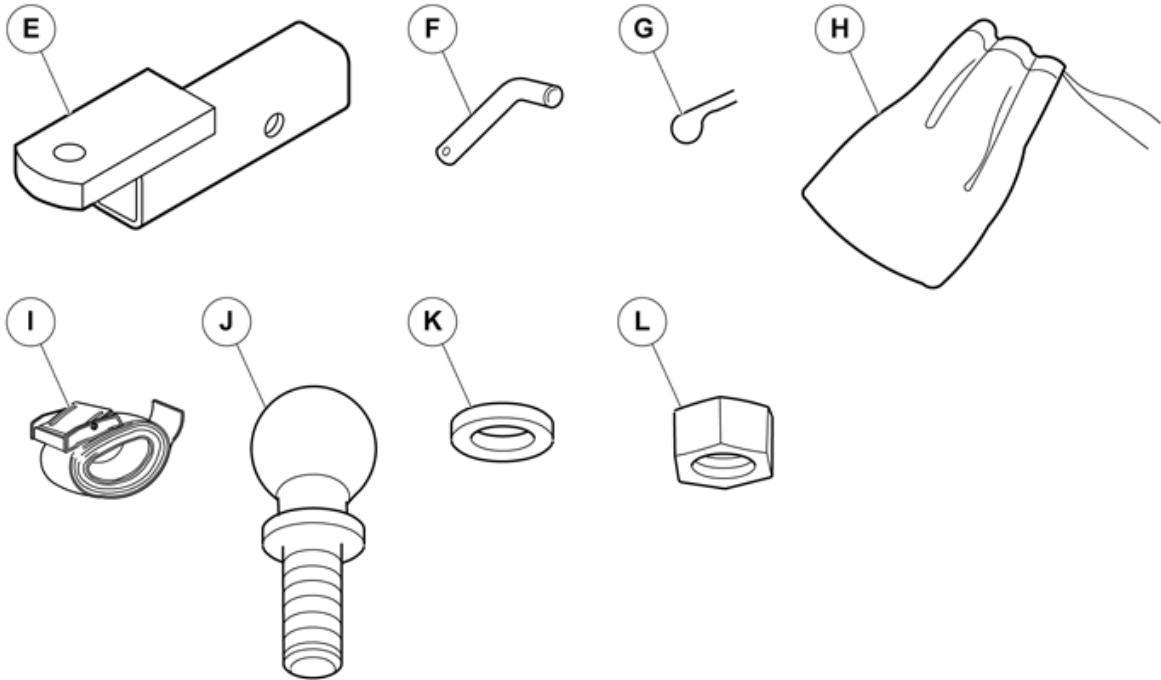


IMG-405950



Installation instructions, accessories

Volvo Car Corporation Gothenburg, Sweden



IMG-377156



Installation instructions, accessories

Volvo Car Corporation Gothenburg, Sweden

Information

1

Read through all of the instructions before starting installation.

Notifications and warning texts are for your safety and to minimise the risk of something breaking during installation.

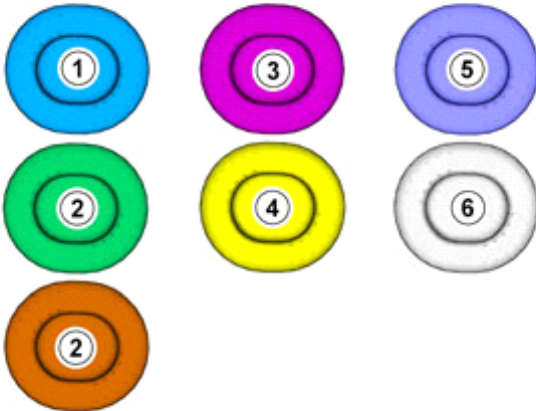
Ensure that all tools stated in the instructions are available before starting installation.

Certain steps in the instructions are only presented in the form of images. Explanatory text is also given for more complicated steps.

In the event of any problems with the instructions or the accessory, contact your local Volvo dealer.

Color symbols

2



IMG-363036

Note!

This colour chart displays (in colour print and electronic version) the importance of the different colours used in the images of the method steps.

1. Used for focused component, the component with which you will do something.
2. Used as extra colors when you need to show or differentiate additional parts.
3. Used for attachments that are to be removed/installed. May be screws, clips, connectors, etc.
4. Used when the component is not fully removed from the vehicle but only hung to the side.
5. Used for standard tools and special tools.
6. Used as background color for vehicle components.

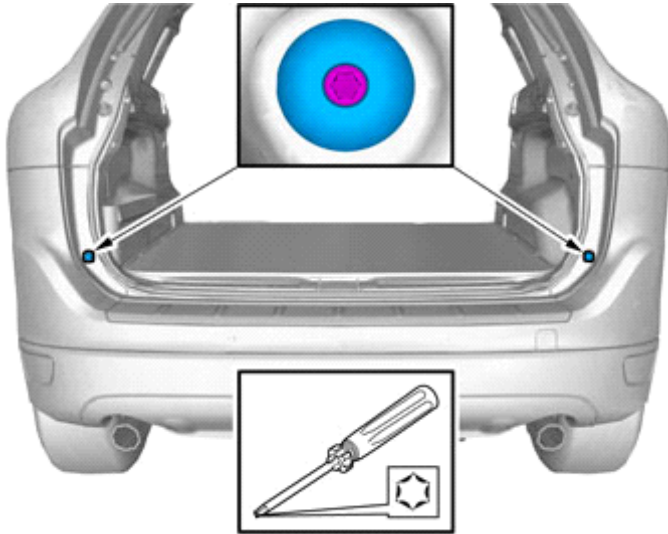
Removal



Installation instructions, accessories

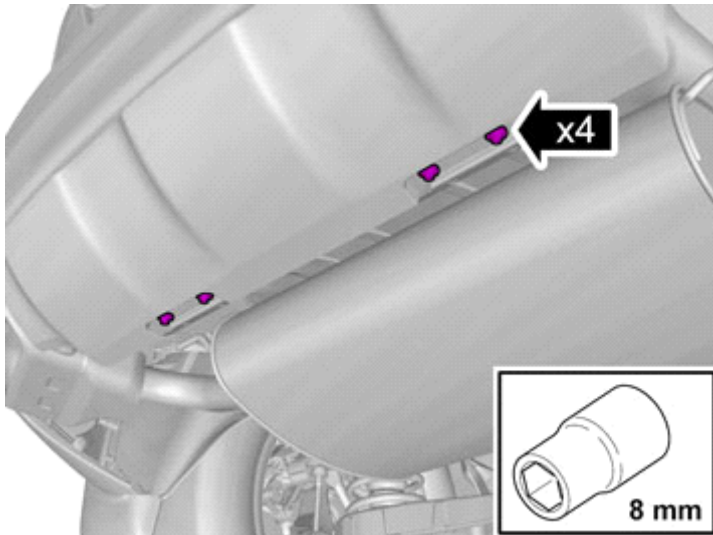
Volvo Car Corporation Gothenburg, Sweden

3



IMG-297185

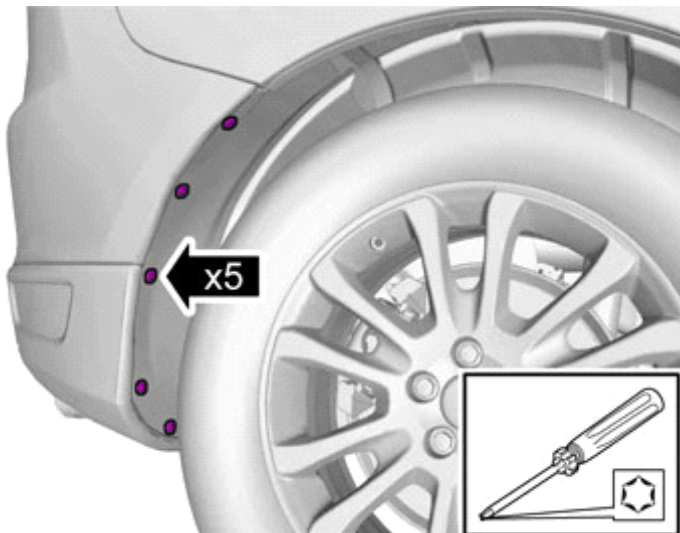
4



IMG-377294

Remove the screws.

5



IMG-297503

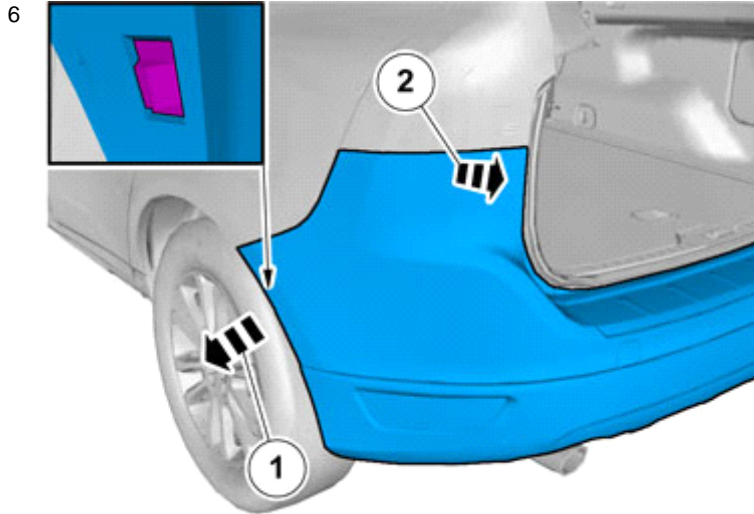
Remove the screws.

Repeat on the other side.



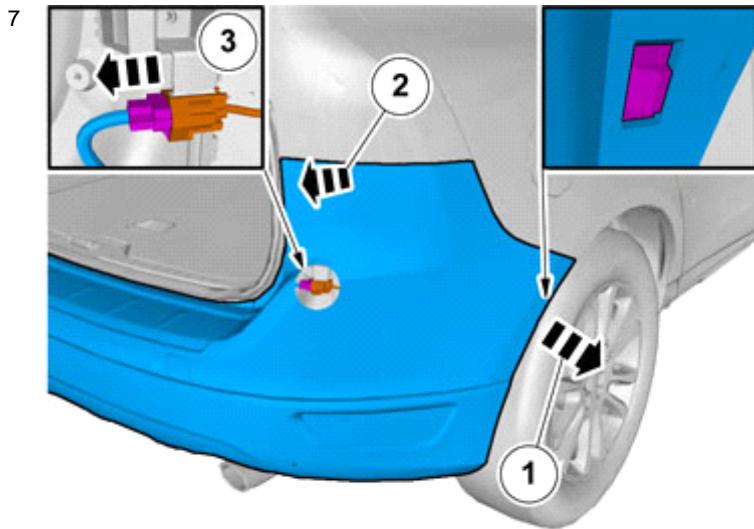
Installation instructions, accessories

Volvo Car Corporation Gothenburg, Sweden



IMG-297504

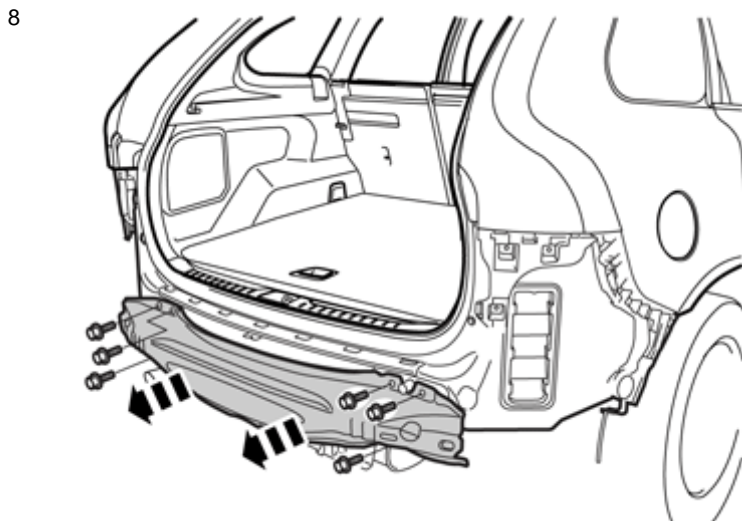
Note!
This step is easier with two people.



IMG-297523

Note!
This step is easier with two people.

Disconnect any connector(s).



Remove the screws.

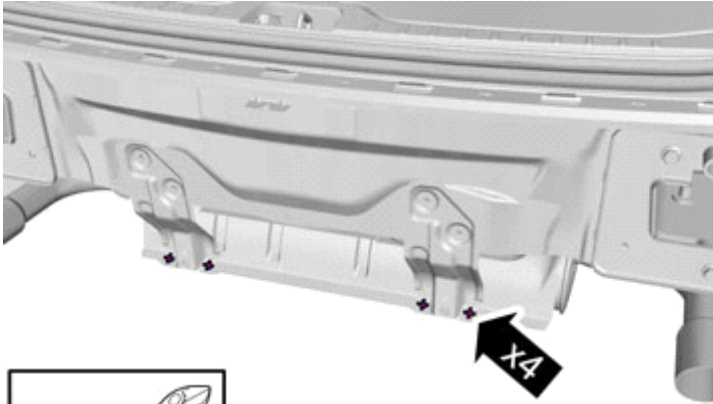
IMG-285056



Installation instructions, accessories

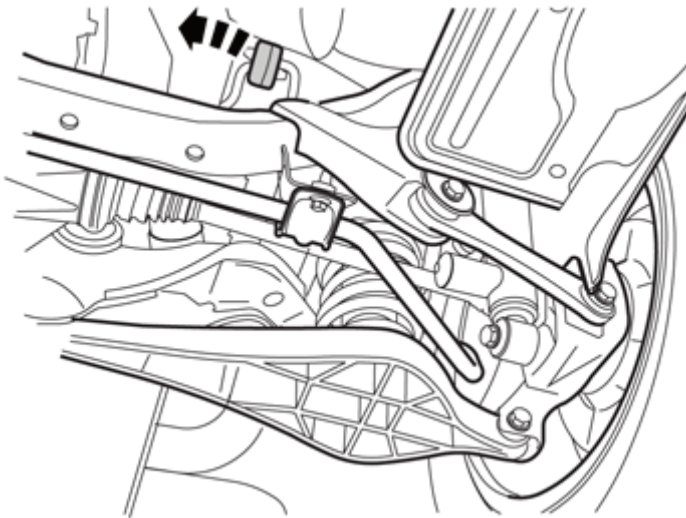
Volvo Car Corporation Gothenburg, Sweden

9



IMG-344780

10



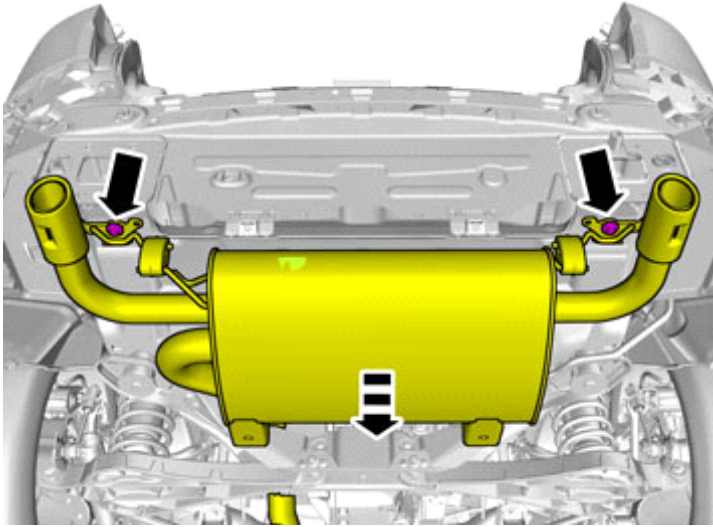
IMG-291744



Installation instructions, accessories

Volvo Car Corporation Gothenburg, Sweden

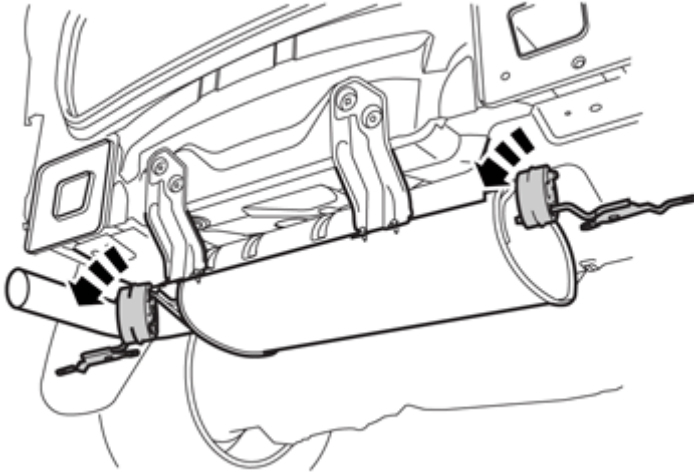
11



IMG-337287

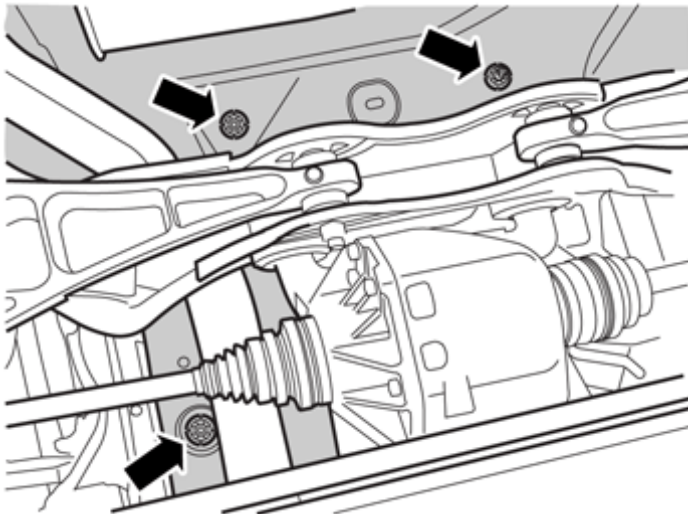
Remove the screws.

12



IMG-285061

13



IMG-285063

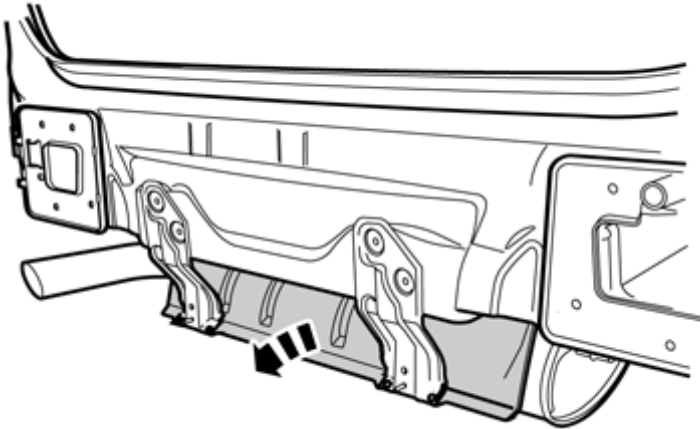
Remove the clips.



Installation instructions, accessories

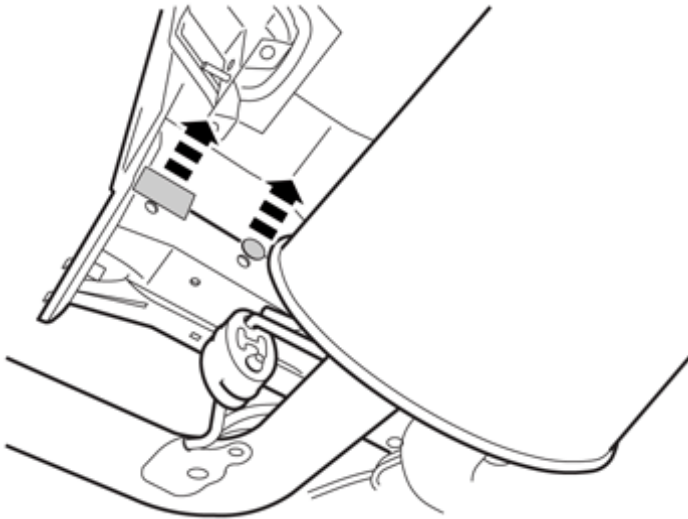
Volvo Car Corporation Gothenburg, Sweden

14



IMG-285064

15

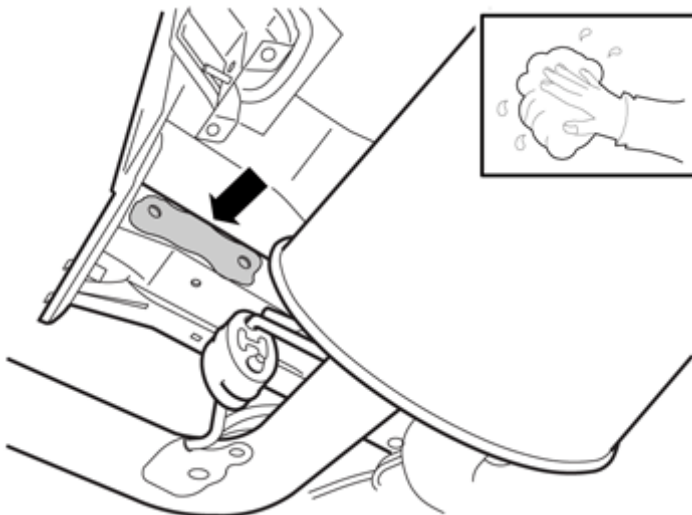


IMG-285065

Remove the tape.

Repeat on the other side.

16



Clean the surface.

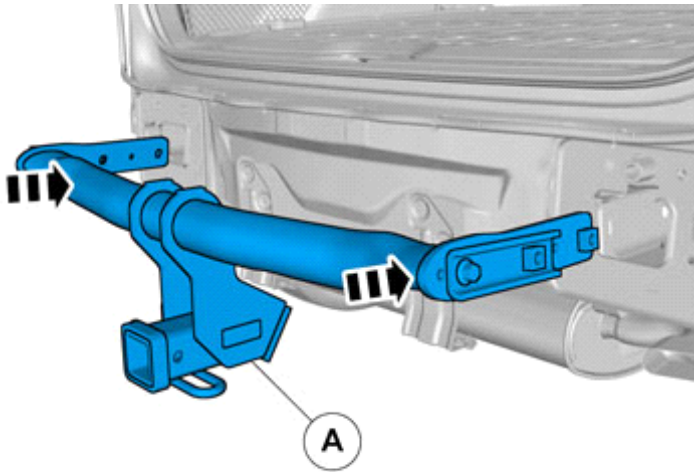
Repeat on the other side.

IMG-285066



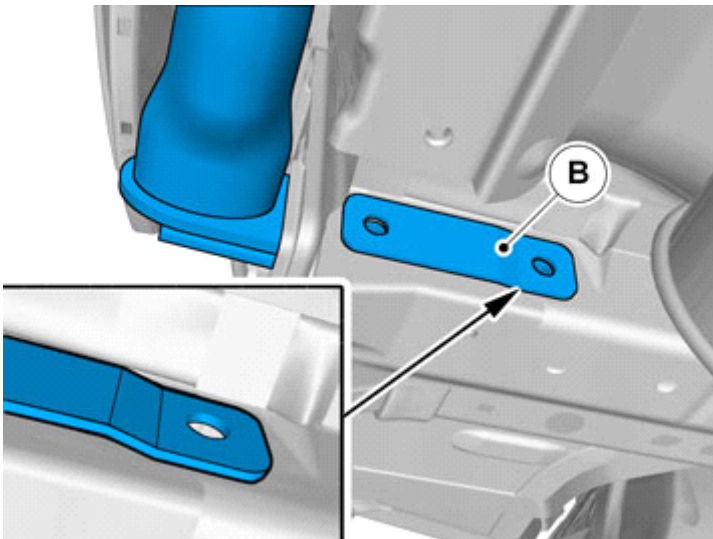
Accessory installation

17



IMG-377158

18



IMG-377153

Note!

Note the position.

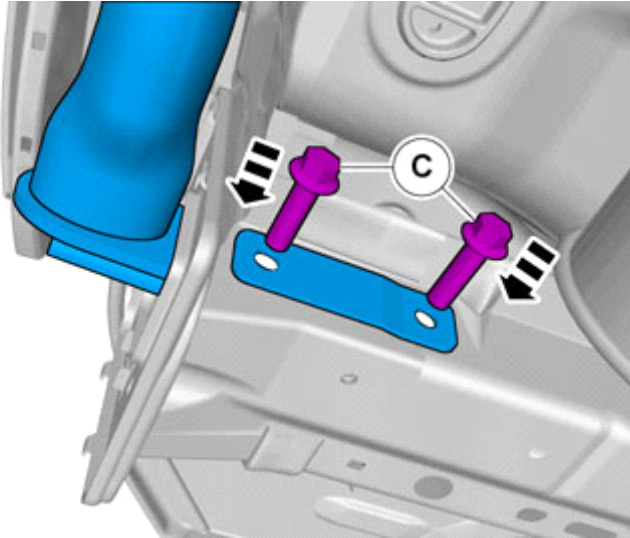
Repeat on the other side.



Installation instructions, accessories

Volvo Car Corporation Gothenburg, Sweden

19



IMG-377154

Caution!

Make sure that the exhaust flexible pipe is not forcibly bent or twisted.

Note!

This step is easier with two people.

Note!

Only tighten the bolts finger tight at this stage.

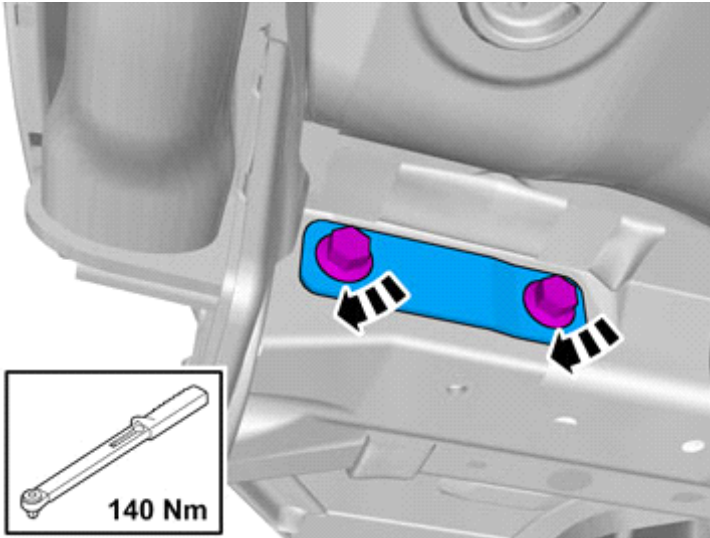
Install the screws.

Repeat on the other side.

Use special tool: T9995972, FIXTURE
(UNIVERSAL/TRANSAXLES)

Use special tool: T9985972, JACK (HYDRAULIC)

20



IMG-377167

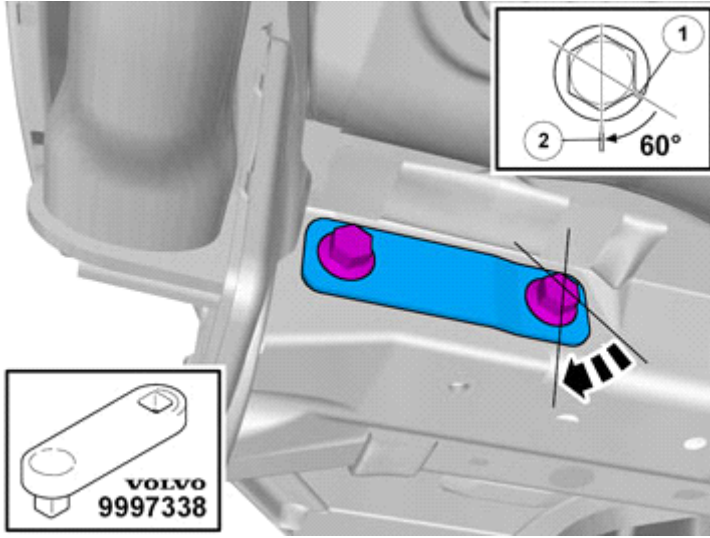
Repeat on the other side.



Installation instructions, accessories

Volvo Car Corporation Gothenburg, Sweden

21

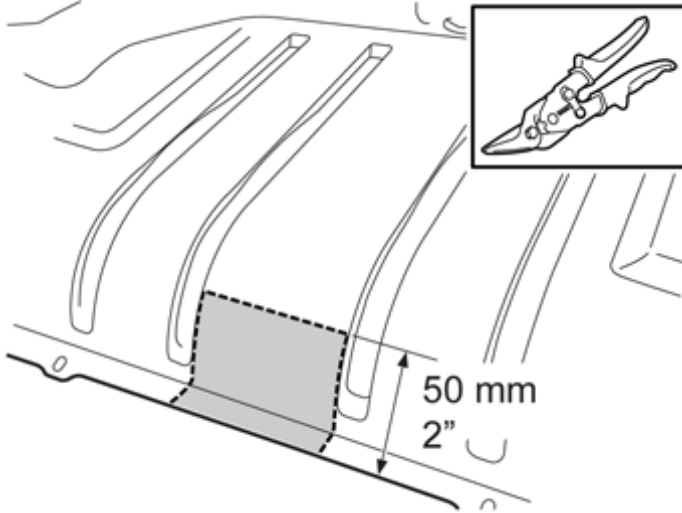


IMG-377165

Repeat on the other side.

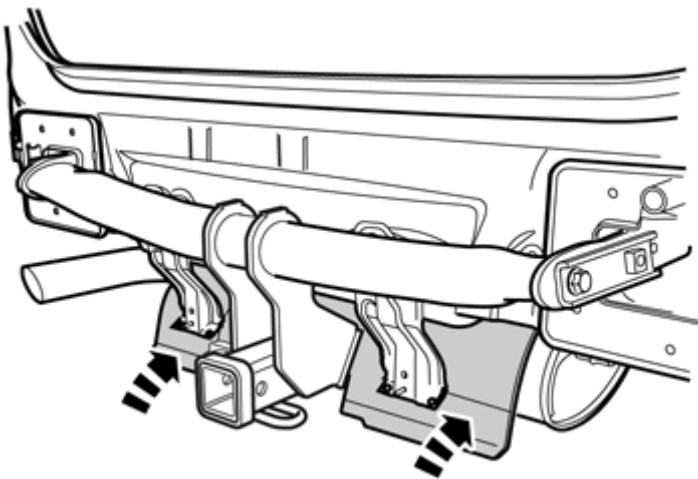
Use special tool: T9997338, Extension rod

22



IMG-285685

23



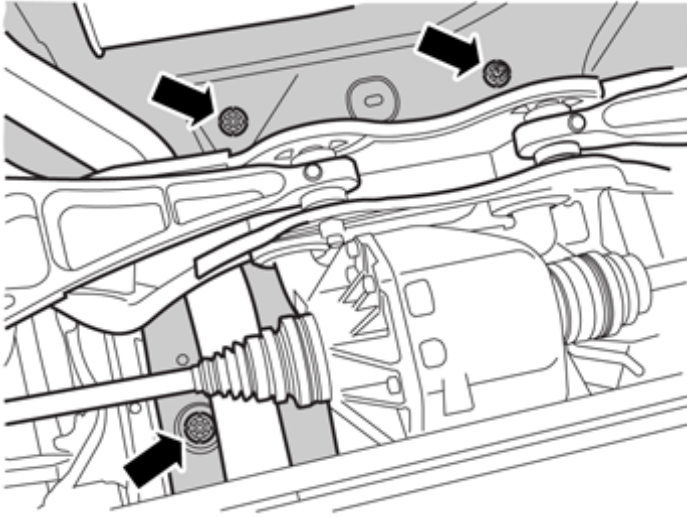
IMG-285686



Installation instructions, accessories

Volvo Car Corporation Gothenburg, Sweden

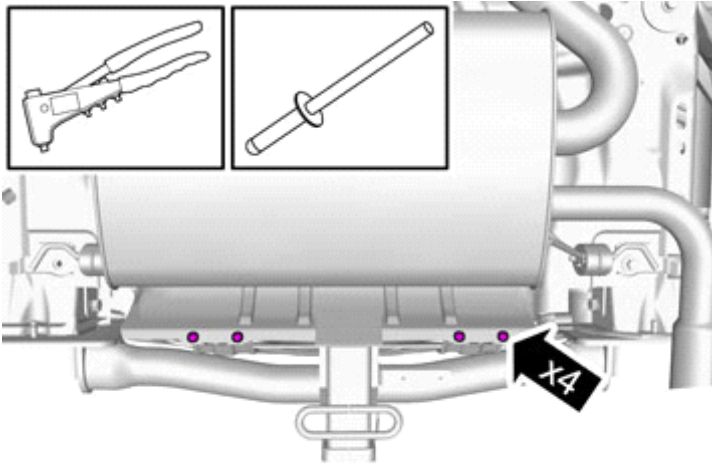
24



Install the clip(s).

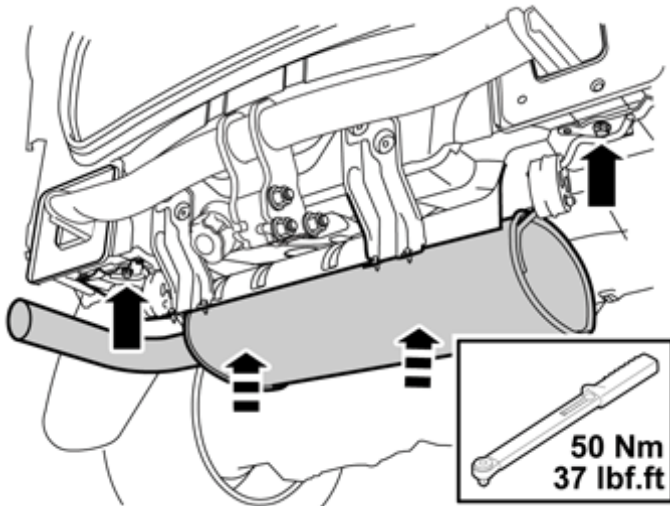
IMG-285086

25



IMG-344784

26



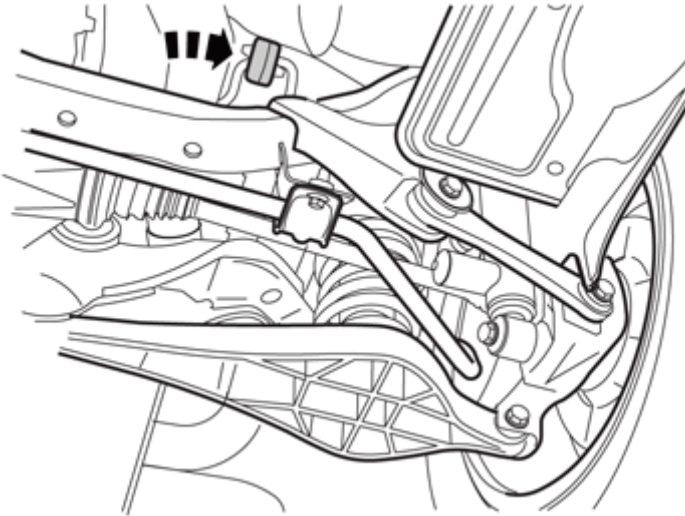
IMG-285212



Installation instructions, accessories

Volvo Car Corporation Gothenburg, Sweden

27



IMG-292263

28

Install tow bar connector and wiring harness according to installation instruction: Towbar, Wiring and Control Unit.

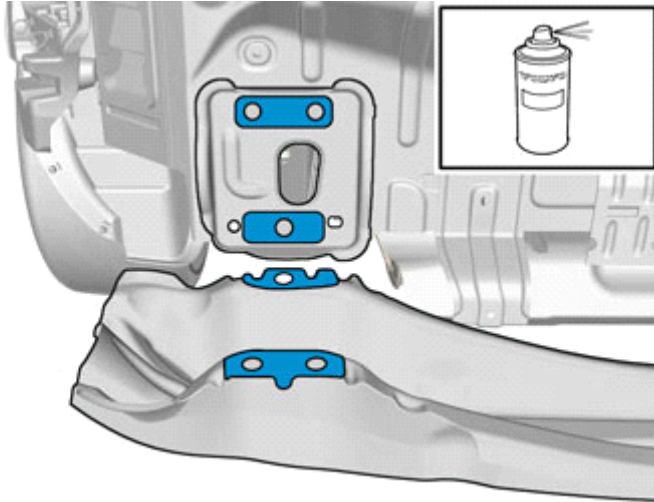
IMG-377070



Installation instructions, accessories

Volvo Car Corporation Gothenburg, Sweden

29

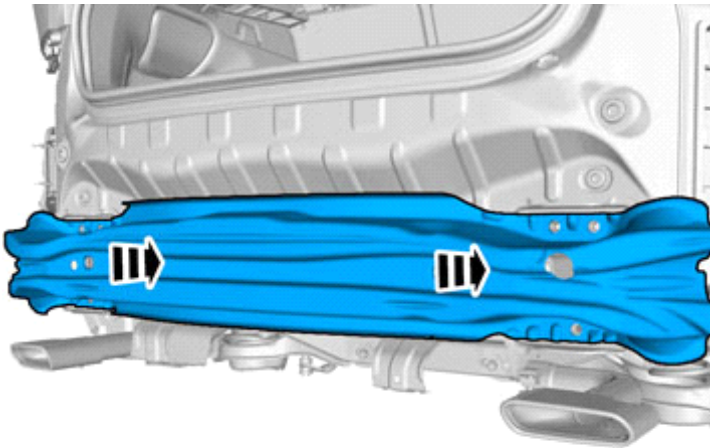


Use: , Rust inhibitor, low viscosity

Repeat on the other side.

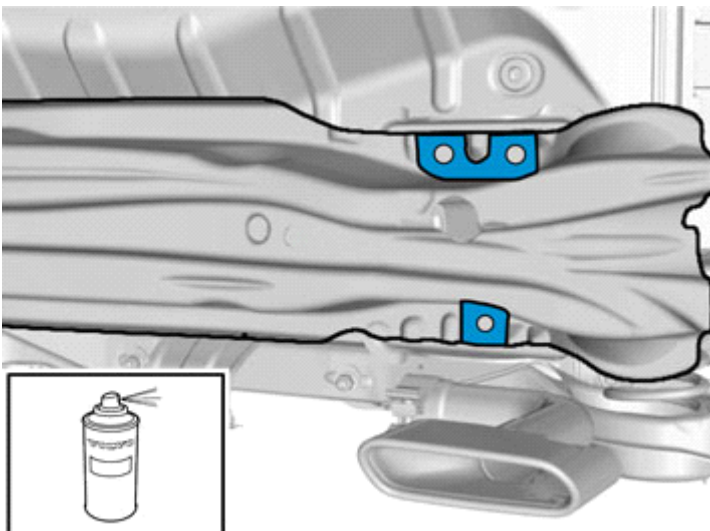
IMG-367201

30



IMG-367202

31



Use: , Rust inhibitor, low viscosity

Repeat on the other side.

IMG-367329

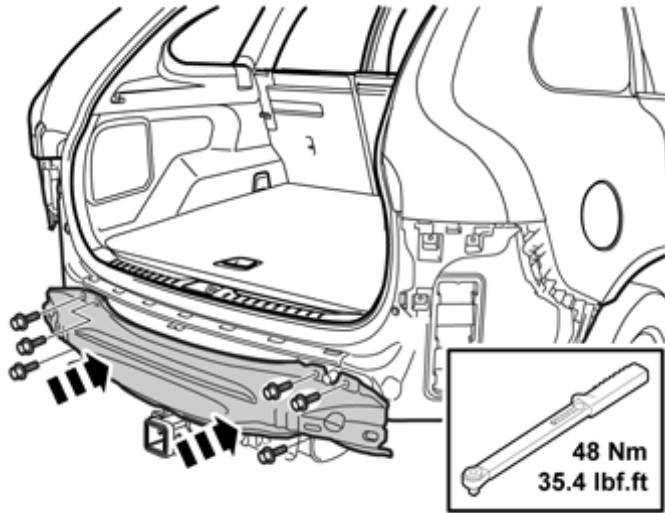


Installation instructions, accessories

Volvo Car Corporation Gothenburg, Sweden

32

Install the screws.

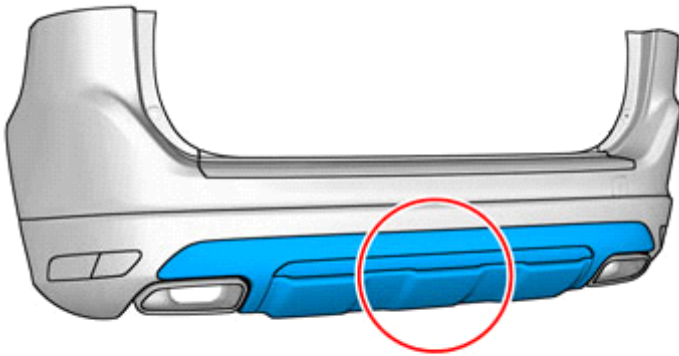


IMG-285689

Alternative 1

33

Note!
Orientation view



IMG-377259

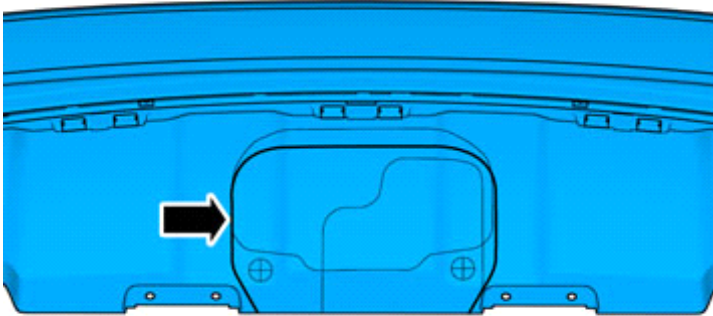


Installation instructions, accessories

Volvo Car Corporation Gothenburg, Sweden

34

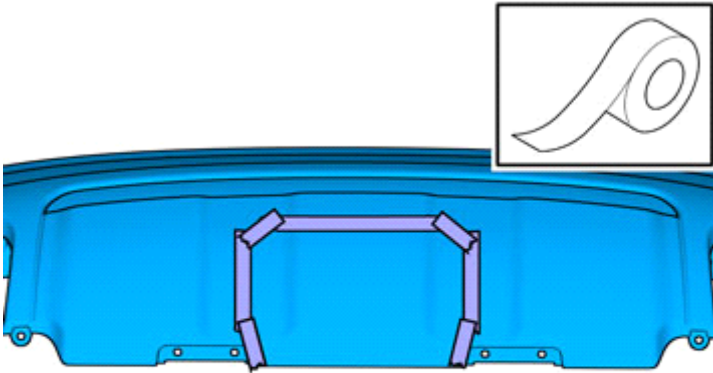
Locate relevant marking.



IMG-377235

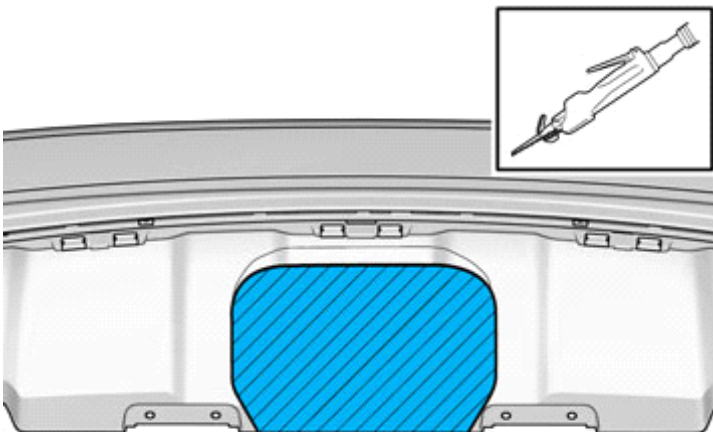
35

Apply tape to the other side, opposite the marking lines.



IMG-377238

36



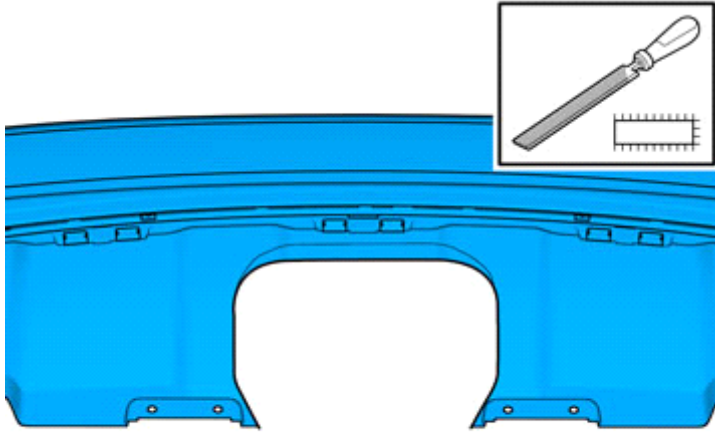
IMG-377242



Installation instructions, accessories

Volvo Car Corporation Gothenburg, Sweden

37

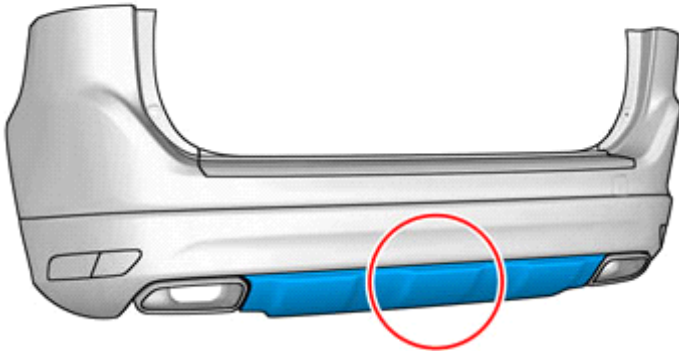


Deburr edges

IMG-377244

Alternative 2

38



Note!
Orientation view

IMG-377258

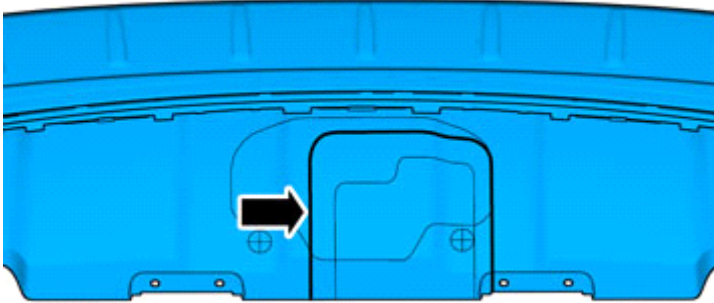


Installation instructions, accessories

Volvo Car Corporation Gothenburg, Sweden

39

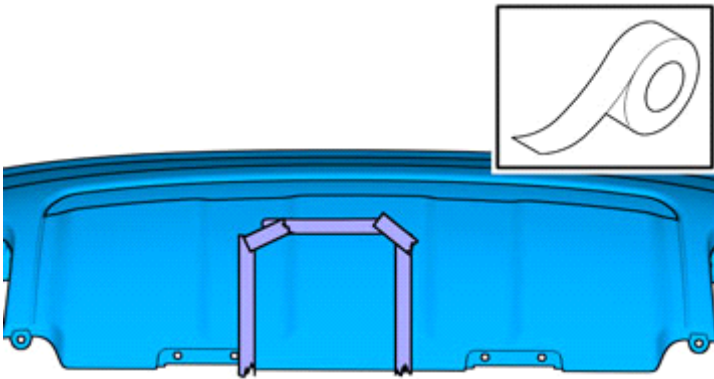
Locate relevant marking.



IMG-377213

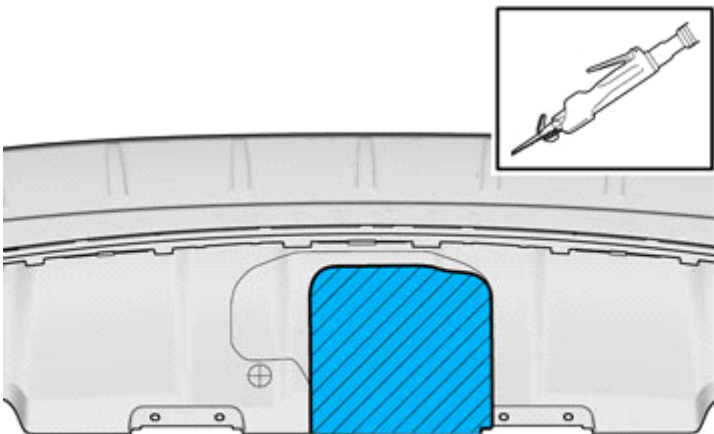
40

Apply tape to the other side, opposite the marking lines.



IMG-377358

41



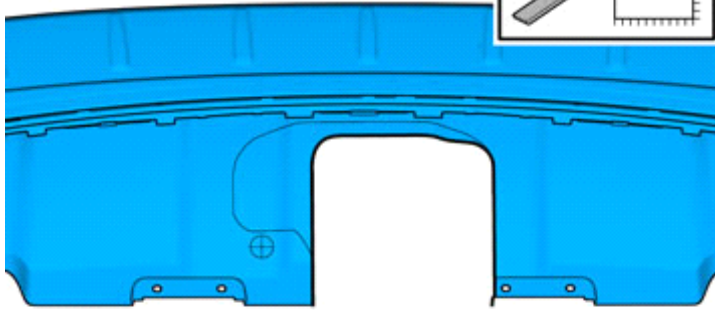
IMG-377365



Installation instructions, accessories

Volvo Car Corporation Gothenburg, Sweden

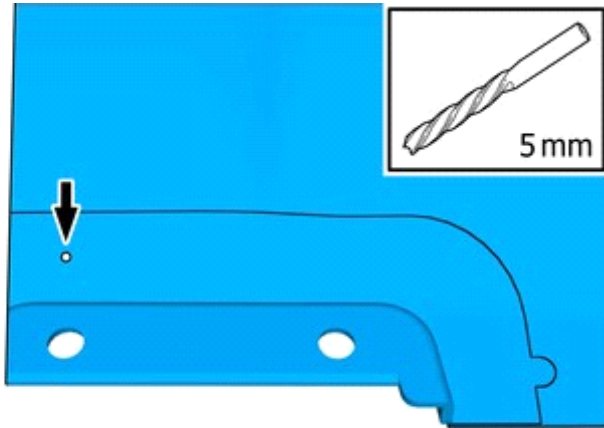
42



Deburr edges

IMG-377367

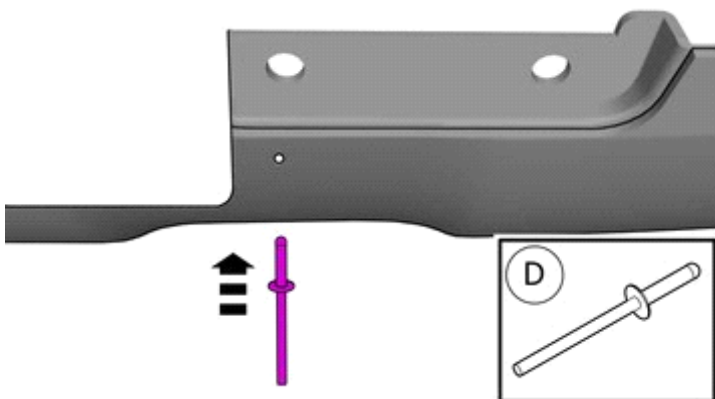
43



IMG-405938

44

Install component that comes with the accessory kit.



IMG-405939

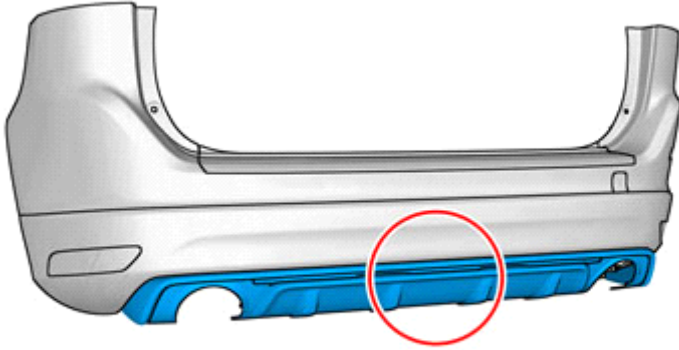


Installation instructions, accessories

Volvo Car Corporation Gothenburg, Sweden

Vehicles with R-design

45

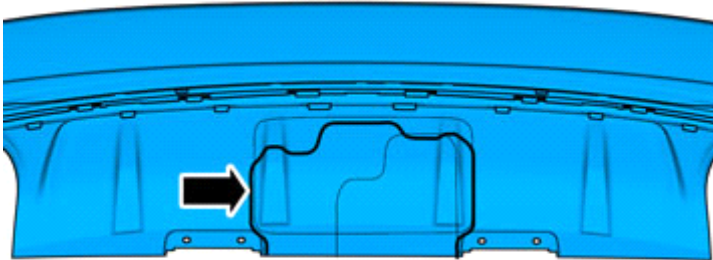


Note!
Orientation view

IMG-377381

46

Locate relevant marking.



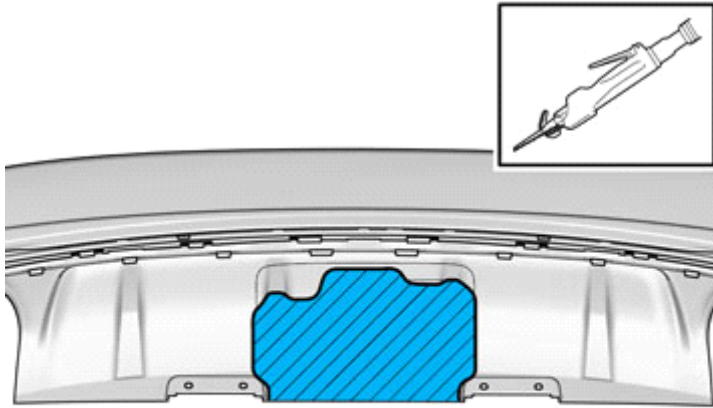
IMG-377407



Installation instructions, accessories

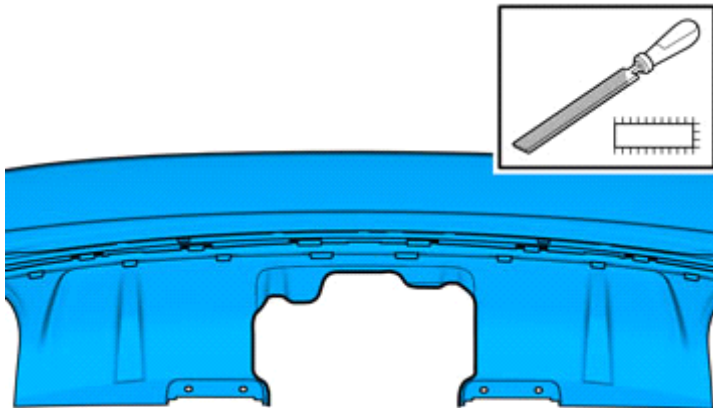
Volvo Car Corporation Gothenburg, Sweden

47



IMG-377409

48



Deburr edges

IMG-377410

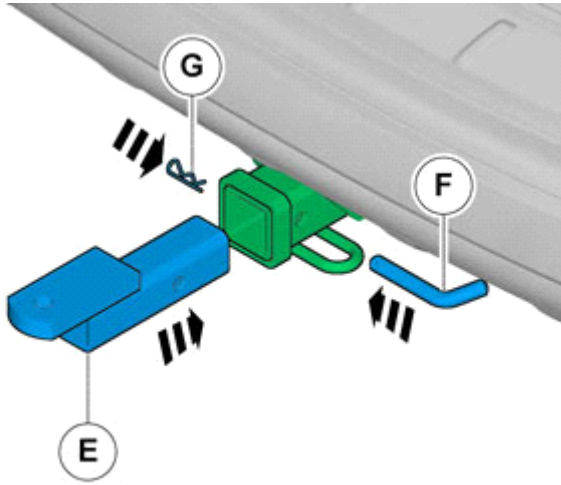
All vehicles



Installation instructions, accessories

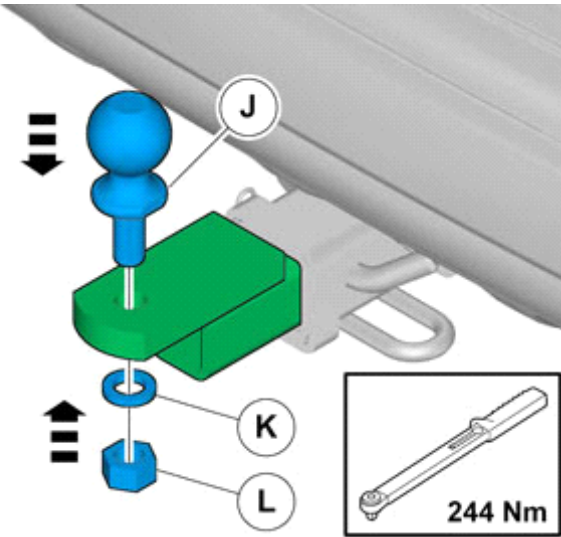
Volvo Car Corporation Gothenburg, Sweden

49



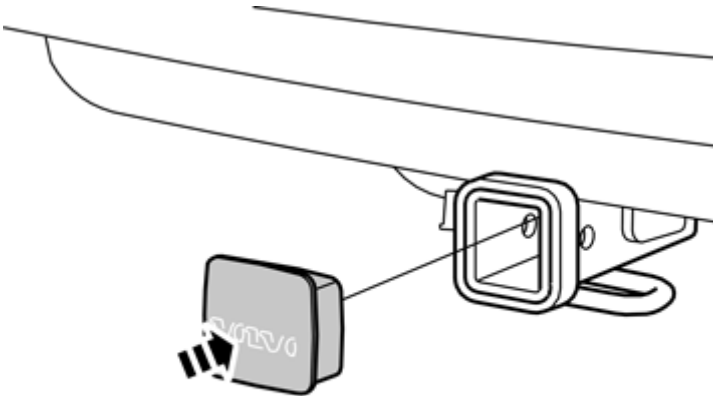
IMG-377186

50



IMG-377187

51



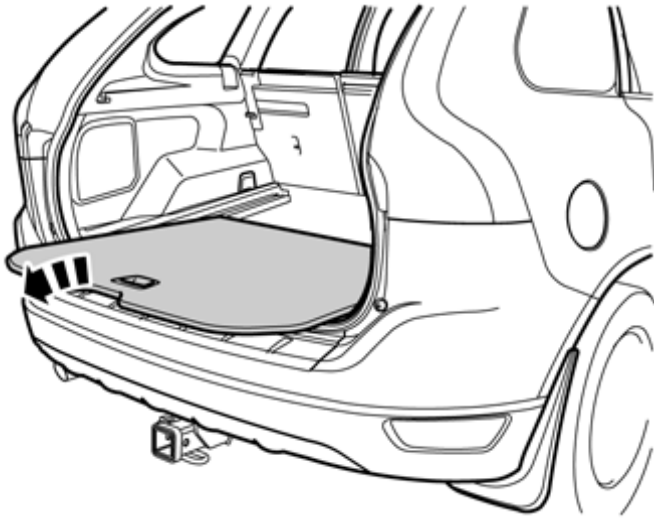
IMG-228982



Installation instructions, accessories

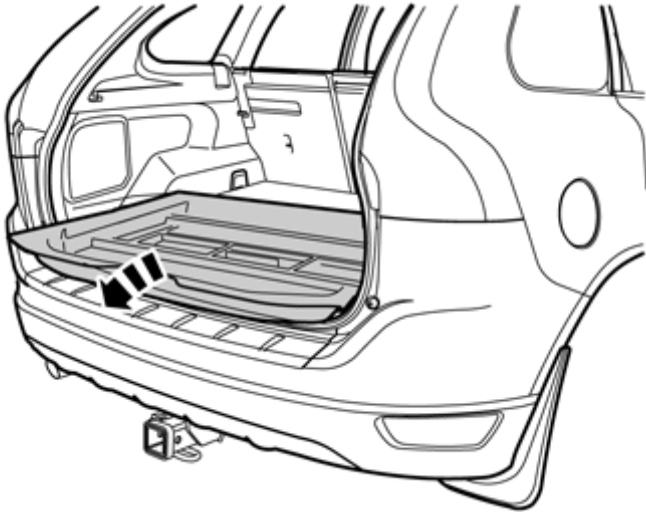
Volvo Car Corporation Gothenburg, Sweden

52



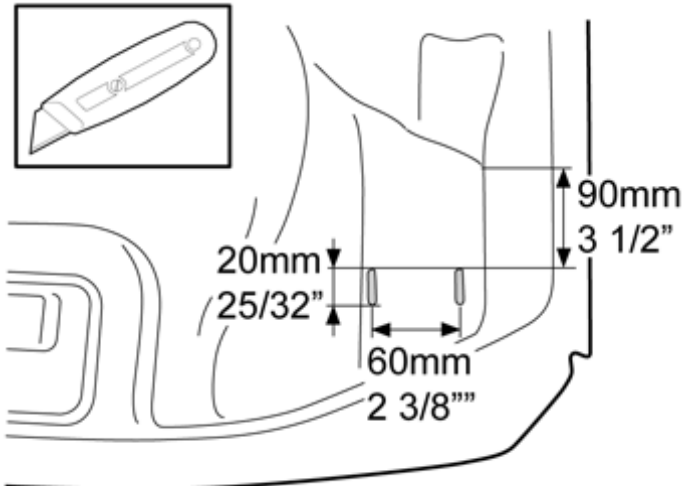
IMG-285724

53



IMG-285723

54



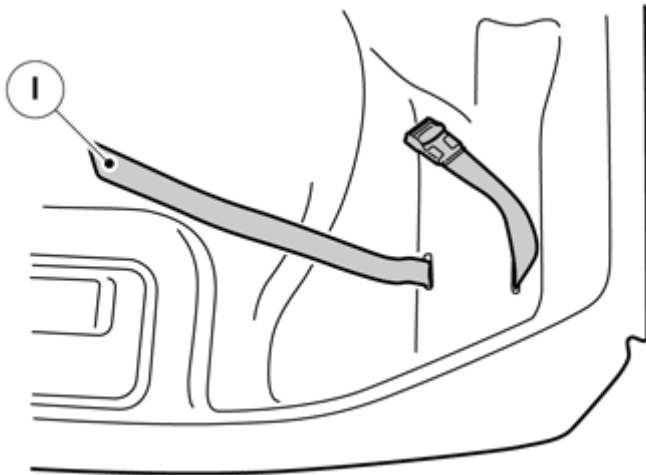
IMG-290583



Installation instructions, accessories

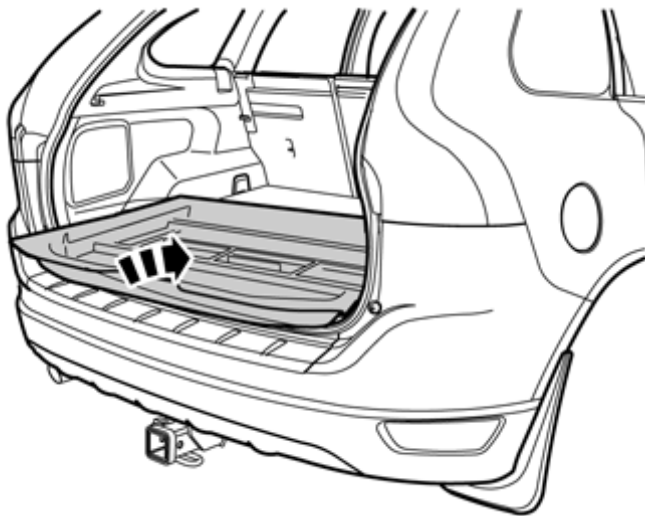
Volvo Car Corporation Gothenburg, Sweden

55



IMG-377188

56



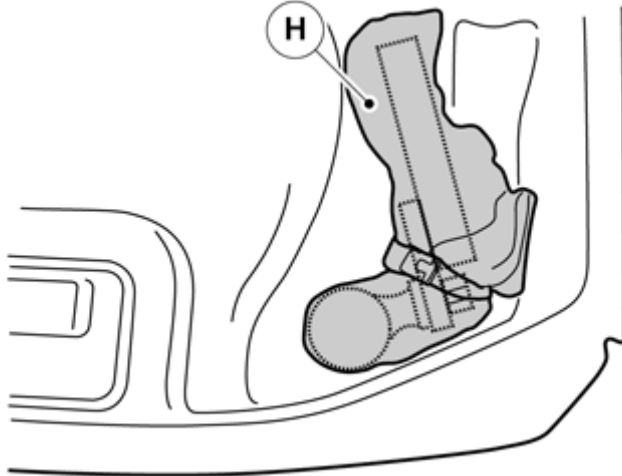
IMG-285725



Installation instructions, accessories

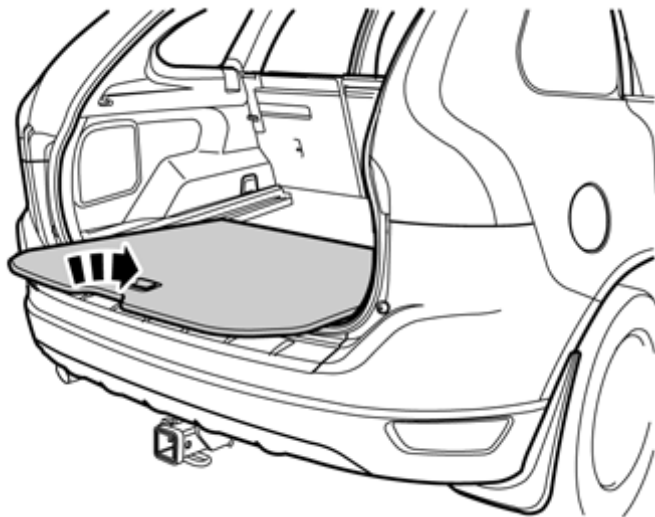
Volvo Car Corporation Gothenburg, Sweden

57



IMG-377190

58



IMG-285728